

INLG644KN

64-Channel 4K NVR

- Supports H.265+ / H.265 / H.264 compression
- 64-Channel input
- Up to 12 Megapixels resolution recording
- Supports RAID 0, 1, 5, 6, 10
- 8 SATA HDDs, Up to 10TB for each HDD
- ANR technology to enhance the storage reliability
- Supports cloud upgrade

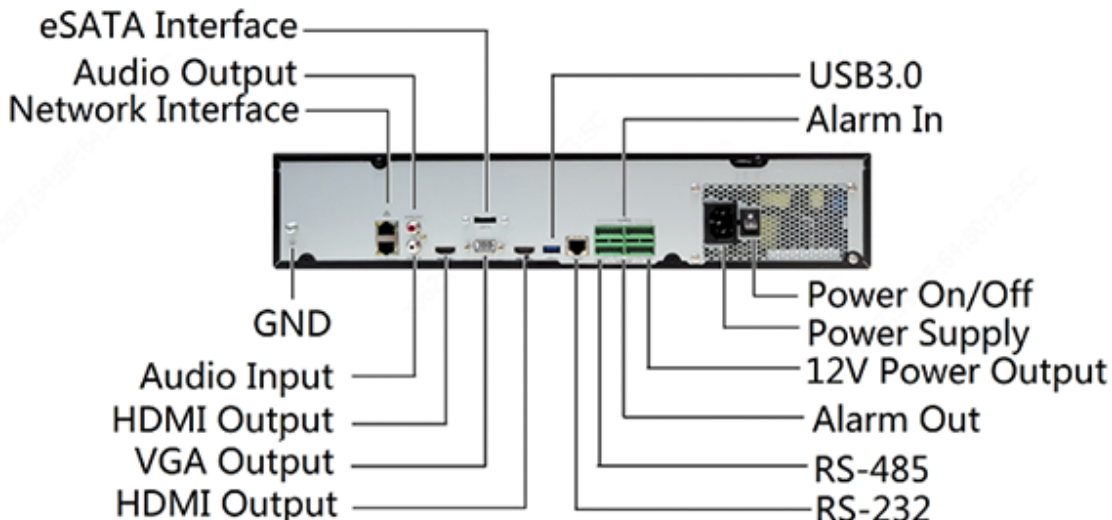


**NDA
Compliant**

Unify your Security Solution

You asked, we listened. Tailored especially for you, Legend is our **fully NDA compliant brand**. It offers our latest technologies in a robust build. Legend by Inaxsys provides H.265+ compression, highly reliable device, crystal clear imaging, easy-to-use, this NVR is **suitable for residences and businesses**.

Rear Panel



*Design and specifications are subjects to change without notice.



INLG644KN

64-Channel 4K NVR

Product Specifications

System	
IP Video Input	64-Channel
Two-way Audio Input	1-Channel, RCA
Network	
Incoming Bandwidth	384Mbps
Outgoing Bandwidth	384Mbps
Maximum Operators	32
Protocols	TCP/IP, P2P, UPnP, NTP, DHCP, PPPoE, HTTP, HTTPS, DNS, DDNS, SNMP, SMTP, NFS
Video/Audio Output	
HDMI/VGA Output	HDMI: 3840 x 2160 at 30Hz; 1920 x 1080 at 60Hz; 1024 x 768 at 60Hz VGA: 1920 x 1080 at 60Hz; 1600 x 1200 at 60Hz; 1024 x 768 at 60Hz
Recording Resolution	12MP / 8MP / 6MP / 5MP / 4MP / 3MP / 1080P / 960P / 720P / D1 / 2CIF / CIF
Audio Output	1-Channel, RCA
Synchronous Playback	16-Channel
Liveview Display	HDMI: 1 / 4 / 6 / 8 / 9 / 16 / 25 / 36 / 64 VGA: 1 / 4 / 6 / 8 / 9 / 16 / 25 / 36
Decoding	
Decoding Format	H.265 / H.264
Liveview/Playback	12MP / 8MP / 6MP / 5MP / 4MP / 3MP / 1080P / 960P / 720P / D1 / 2CIF / CIF
Capability	2 x 12MP at 30fps, 4 x 4K at 30fps, 8 x 4MP at 30fps, 9 x 4MP at 25fps, 16 x 1080P at 30fps, 32 x 960P at 25fps, 36 x 720P at 30fps, 64 x D1
Hard Disk	
SATA HDD	Up to 8 SATA HDDs
Storage	Up to 10TB for each disk
eSATA	1 eSATA interface
Disk Group	Supported
RAID	0, 1, 5, 6, 10
Smart Features	
Smart Detection	Intrusion Detection, Cross Line Detection, Enter Area, Leave Area, Defocus Detection, Scene Change Detection, Auto Tracking, Object Left Behind, Object Removed, Vehicle Control
Smart Search	Behavior Search, Vehicle Search
People Counting	People Flow Counting, Crowd Density Monitoring
Smart Intrusion Prevention	16-Channel
Alarms	
Trigger Events	Motion, Tampering, Human Body Detection, Video Loss, Alarm input, Audio Detection, IP Conflict, Network Disconnected, Disk Offline, Disk Abnormal, Illegal Access, Hard Disk Space Low, Hard Disk Full, Recording/ Snapshot Abnormal

*Design and specifications are subjects to change without notice.



INLG644KN

64-Channel 4K NVR

Product Specifications

External Interface	
Network Interface	2 RJ45 10M/100M/1000M self-adaptive Ethernet Interfaces
USB Interface	Rear panel: 1 x USB2.0, 1 x USB 3.0
RS232	1
RS485	1
Alarm In/Out	16-Channel / 4-Channel
ONVIF	
ONVIF conformance	Profile S, Profile G, Profile T and RTSP protocols
Certifications	
Certifications	CE, FCC, UL, RoHS, WEEE
CE	EN 55032: 2015, EN 61000-3-3: 2013, EN IEC 61000-3-2: 2019, EN 55035: 2017
FCC	Part15 Subpart B, ANSI C63.4
General	
Power Supply	100 to 240 V AC / Power Consumption: Less than 25W (without HDD)
Working Environment	-10°C to +55°C; Less than 90% RH (non-condensing)
Dimensions (WxDxH)	442mm x426mmx 89mm (17.4" x 16.8" x 3.5")
Weight (without HDD)	12.57 lbs (Up to 5.7kg)

*Design and specifications are subjects to change without notice.

